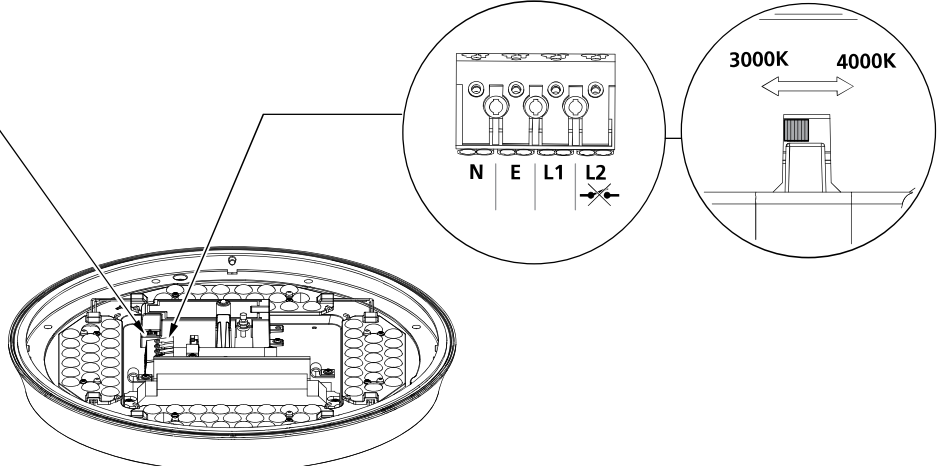


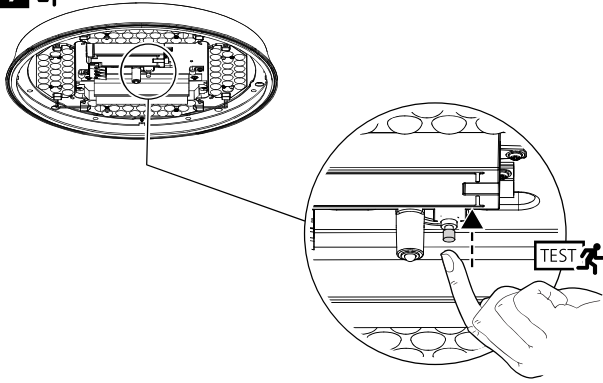
3000K			
ON		START Surface IP54 Multipower	
1 2		0043413	
1	2	Io [mA]	P [W]
● ●	○ ○	176	36
● ○	○ ○	155	32
○ ●	○ ○	134	28
○ ○	○ ○	115	24
EM		-	2.8
			400
[lm]			
			3750
			3250
			2800
			2350

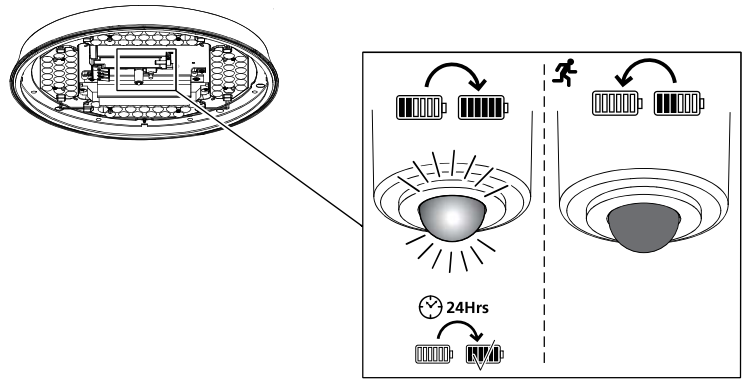
4000K			
ON		START Surface IP54 Multipower	
1 2		0043413	
1	2	Io [mA]	P [W]
● ●	○ ○	176	36
● ○	○ ○	155	32
○ ●	○ ○	134	28
○ ○	○ ○	115	24
EM		-	2.8
			430
[lm]			
			4000
			3500
			3000
			2500



7

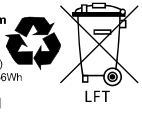


8



9

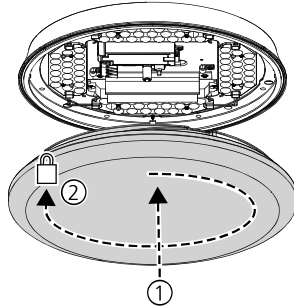
**STREAMER**  
 Rechargeable cylindrical Lithium  
 iron phosphate battery  
 Model No.: YHBL-2-3.3Z  
 Rated: 6.4V3.3Ah 21.12Wh(2IFpR27/67)  
 Cells type: IFR26650 G2 3.2V3.3Ah 10.56Wh  
 Date of manufacture: \_\_\_\_\_  
 Date of commissioning: \_\_\_\_\_



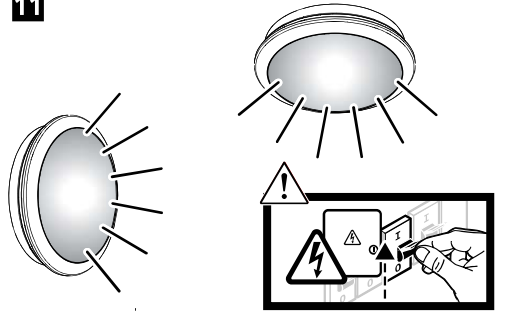
Date of commissioning: ?? / ?? / 20??



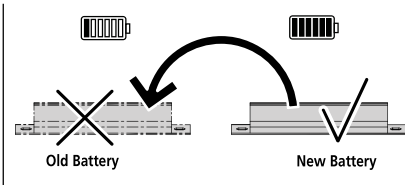
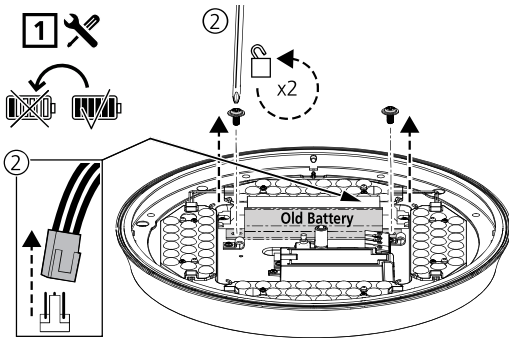
10



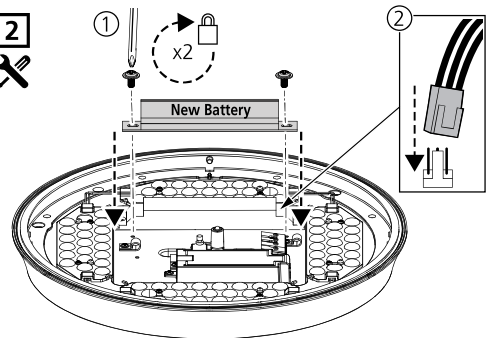
11



1



2



i

